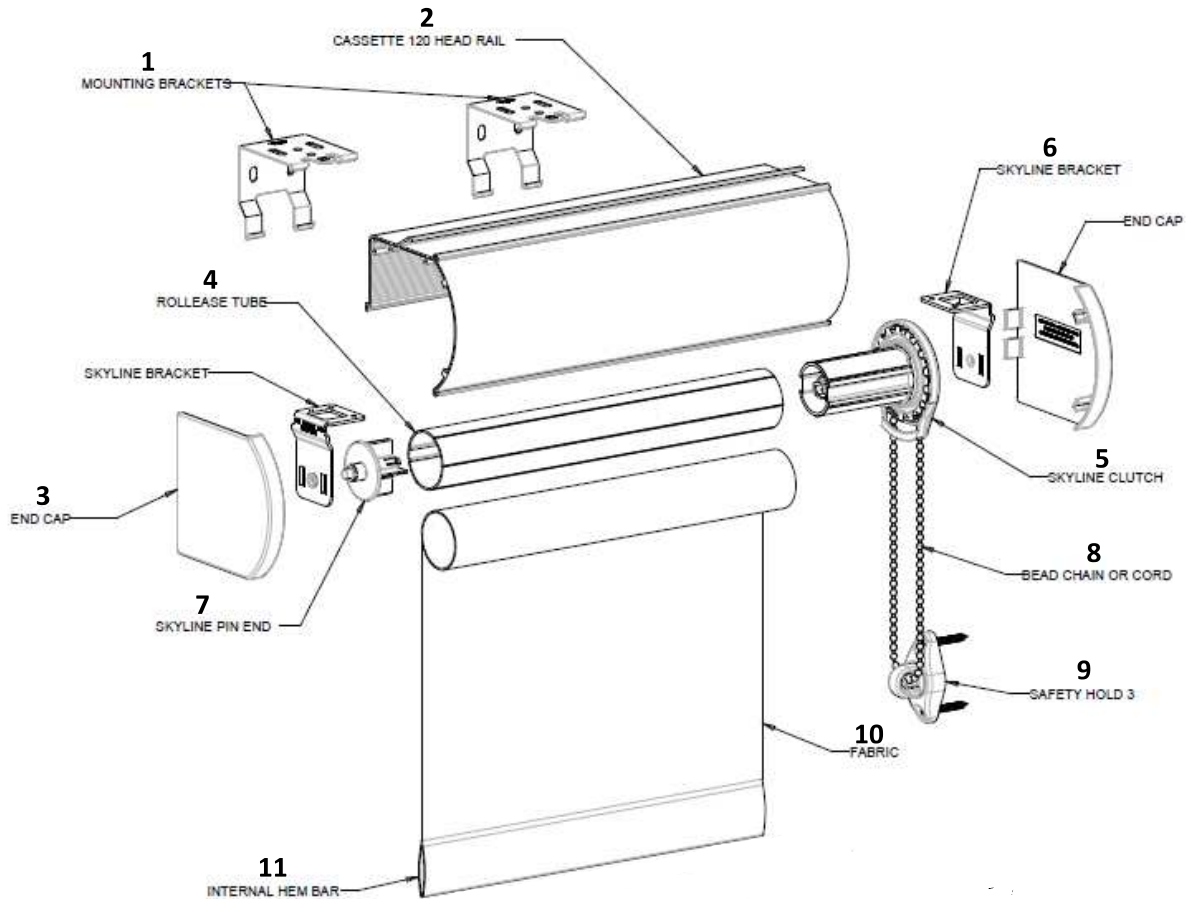


### Skyline Cassette 120 System Diagram

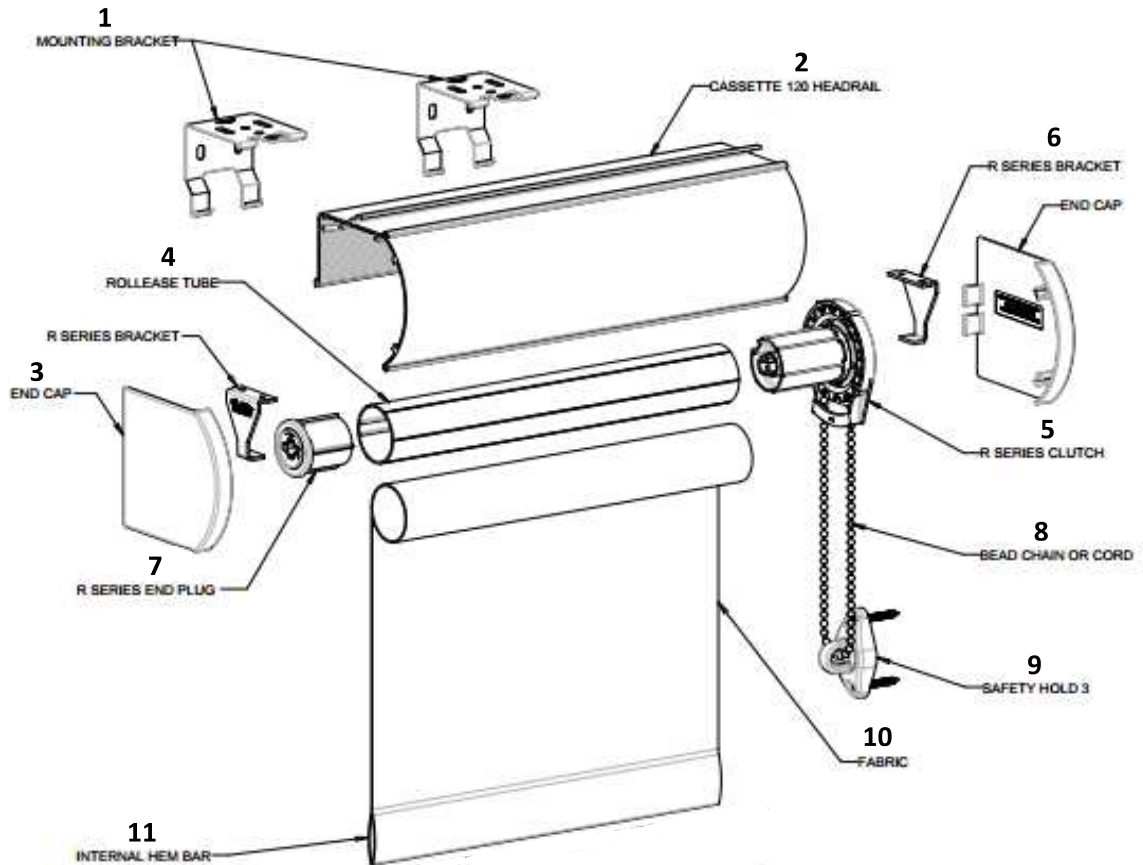


1	Mounting Brackets
2	Cassette 120 Headrail
3	End Cap
4	RollEase Tube
5	Skyline Clutch
6	Skyline Bracket
7	Skyline Pin End (Idler)
8	Bead Chain or Cord
9	SafetyHold 3
10	Fabric
11	Internal Hem Bar

Maximum Roll Diameter is 2-7/8"

Cassette 120 Headrail is  
3.88" Tall x 4.43" Wide

### R-Series Cassette 120 System Diagram



1	Mounting Brackets
2	Cassette 120 Headrail
3	End Cap
4	RollEase Tube
5	R-Series Clutch
6	R-Series Bracket
7	R-Series End Plug (Idler)
8	Bead Chain or Cord
9	SafetyHold 3
10	Fabric
11	Internal Hem Bar

Maximum Roll Diameter is 2-7/8"

Cassette 120 Headrail is  
3.88" Tall x 4.43" Wide

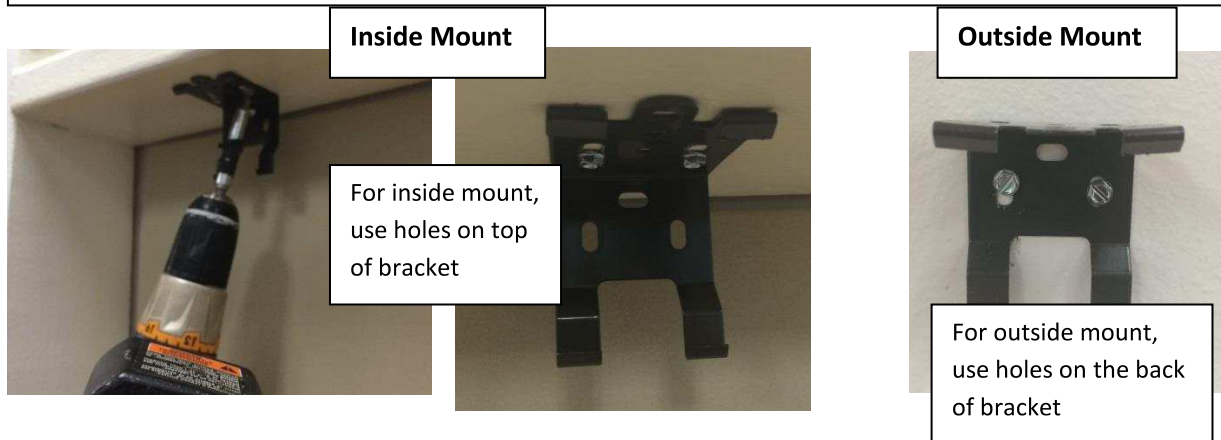
### Skyline & R-Series – Inside & Outside Mount Cassette 120 Installation

**Step 1: Carefully remove shade from the box and package wrapping.**

TIP: Installation is the same in both Skyline and R-Series applications. However, deduction data will vary.

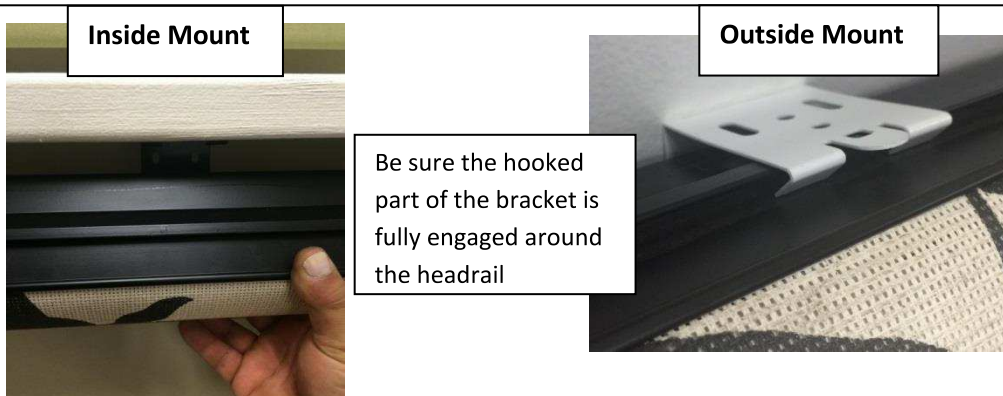
**Step 2: Install Mounting Brackets using correct screws.**

**2a. Mounting Brackets should be placed approximately every 18"**



**Step 3: Install Headrail**

**3a. Snap Headrail into place by sliding groove in headrail into the mounting bracket and snapping upwards to lock headrail in place**



**Step 4: Install Tension Device**

**4a. See instructions for Safety Hold3**

Skyline & R-Series – Inside & Outside Mount  
Cassette 120 Installation

**Installed Shade  
Inside Mount**



**Installed Shade  
Outside Mount**

